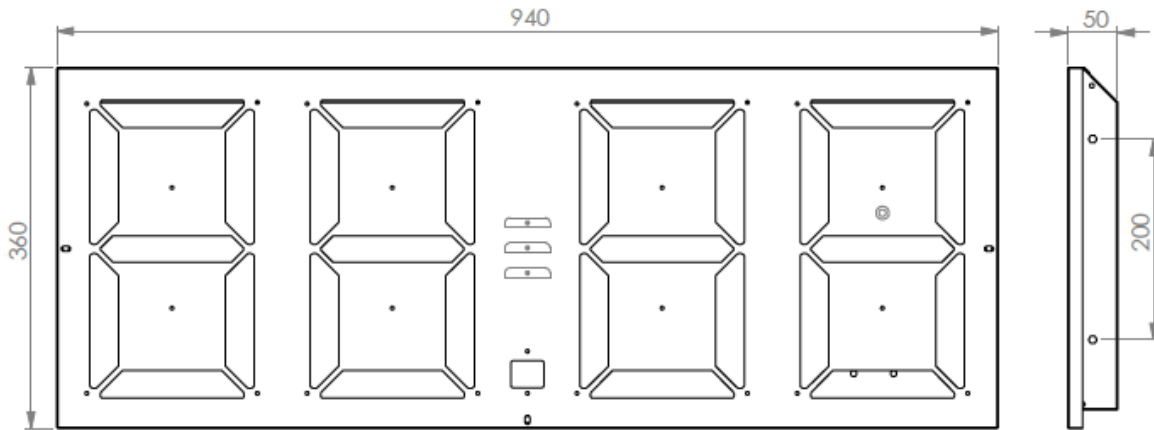


# ARGESYS

ELEKTRONİK SANAYİ VE TİCARET A.Ş.

## ALXSYS SIGN 940x360 DATASHEET



OPTIONS	SPECT	SIGN 940x360x50
INPUT	RATED INPUT VOLTAGE	220-240V AC
	RANGE OF INPUT VOLTAGE	110-240V AC
	FREQUENCY (Hz)	50/60 Hz
OUTPUT	PANEL SIZE (mm)	940x360x50
	DIGIT SIZE (mm)	296,80x165,05
	CCT	6500K
	CRI	80+
	BEAM ANGLE	120°
	POWER CONSUMPTION	<60W
	BRIGHTNESS ADJUSTMENT	% 10-100 DIM
	LED CHIP	CREE / SAMSUNG / SEOUL
	RATED LOAD	48W MAX
ENVIROMENT	OPERATING AMBIENT TEMPERATURE	-40°C / +80°C
	STORAGE TEMPERATURE	-40°C / +80°C
	HUMIDITY	%10-90 RH
	LIFE TIME (Hour)	50.000 @45°C
WARRANTY		5 YEARS