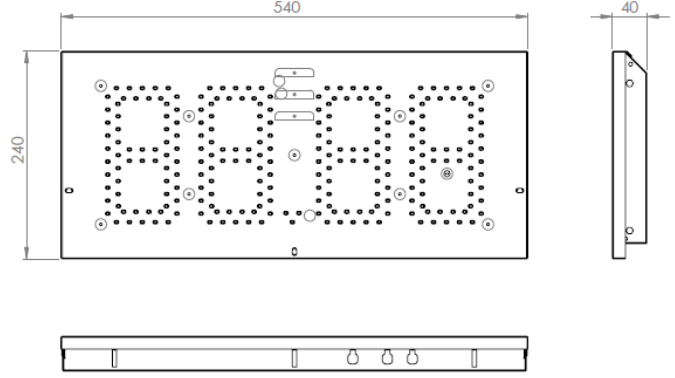
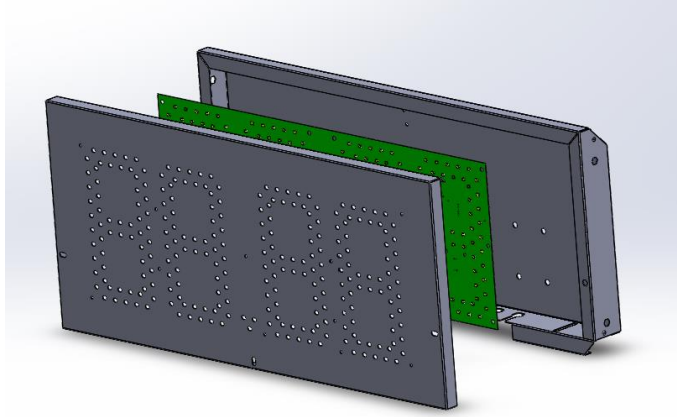


## ALXSYS SIGN 540X240 DATASHEET



OPTIONS	SPECT	SIGN 540x240x40
INPUT	RATED INPUT VOLTAGE	220-240V AC
	RANGE OF INPUT VOLTAGE	110-240V AC
	FREQUENCY (Hz)	50/60 Hz
OUTPUT	PANEL SIZE (mm)	540x240x40
	DIGIT SIZE (mm)	159,20x85,5
	CCT	6500K
	CRI	80+
	BEAM ANGLE	120°
	POWER CONSUMPTION	<30W
	BRIGHTNESS ADJUSTMENT	% 10-100 DIM
	LED CHIP	CREE / SAMSUNG / SEOUL
	RATED LOAD	20W MAX
ENVIROMENT	OPERATING AMBIENT TEMPERATURE	-40°C / +80°C
	STORAGE TEMPERATURE	-40°C / +80°C
	HUMIDITY	%10-90 RH
	LIFE TIME (Hour)	50.000 @45°C
WARRANTY		5 YEARS