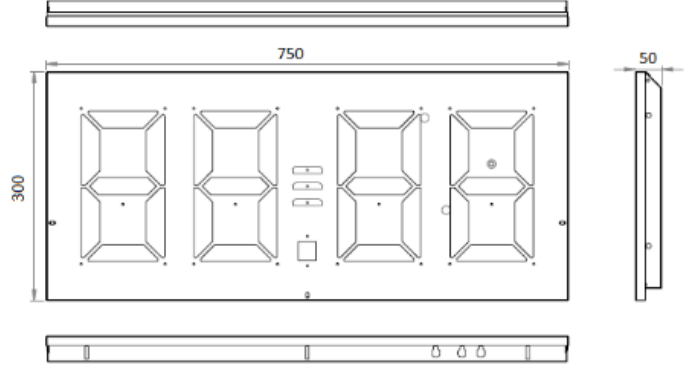
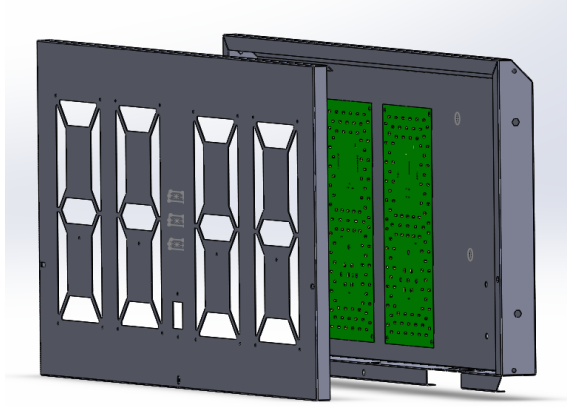


ARGESYS

ELEKTRONİK SANAYİ VE TİCARET A.Ş.

ALXSYS SIGN 750X300 DATASHEET



OPTIONS	SPECT	SIGN 750X300X50
INPUT	RATED INPUT VOLTAGE	220-240V AC
	RANGE OF INPUT VOLTAGE	110-240V AC
	FREQUENCY (Hz)	50/60 Hz
OUTPUT	PANEL SIZE (mm)	750X300X50
	DIGIT SIZE (mm)	230X127
	CCT	6500K
	CRI	80+
	BEAM ANGLE	120°
	POWER CONSUMPTION	<50W
	BRIGHTNESS ADJUSTMENT	% 10-100 DIM
	LED CHIP	CREE / SAMSUNG / SEOUL
	RATED LOAD	30W MAX
ENVIROMENT	OPERATING AMBIENT TEMPERATURE	-40°C / +80°C
	STORAGE TEMPERATURE	-40°C / +80°C
	HUMIDITY	%10-90 RH
	LIFE TIME (Hour)	50.000 @45°C
WARRANTY		5 YEARS